



Integrated Microwave Assemblies

*Customized to meet exacting
program requirements*

RECEIVERS

ATTENUATORS

UPCONVERTERS

DOWNCONVERTERS

INTEGRATED ASSEMBLIES

PULSED COMPRESSOR
ASSEMBLIES

Integrated Microwave Assemblies (IMAs)

CPI produces a compact, more efficient integrated component, by optimizing performance, reducing development costs and ultimately, providing increased functionality to the end product.

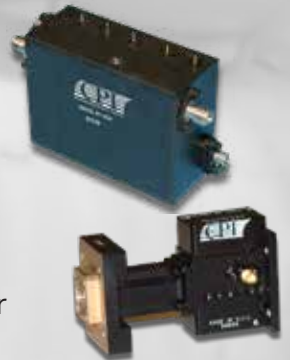
Receivers

- Available in frequencies: L, S, C, X, Ku, Ka-Bands
- Low-noise figures
- Digital gain control
- Linearized RF attenuation
- Very high dynamic range
- Switched IF filter
- Dual-conversion radar receivers
- Fast recovery time



Digital Attenuators

- Available in frequencies: L, S, C, X, Ku, Ka-Bands
- Low insertion loss
- Digital / analog control
- Fast switching time
- Available with waveguide or coax interfaces



Pulse Compressor Assemblies

- Available in frequencies: L, S, C, X, Ku, Ka-Bands
- Low-noise figures
- Digital gain control
- Very high dynamic range
- Switched IF filter
- Dual-conversion radar receivers
- Fast switching time



Upconverters / Downconverters

- Available in frequencies: L, S, C, X, Ku, Ka-Bands
- High spurious rejection
- Adjustable filter bandwidth
- Gain control
- RF gating capability



Found in radar systems around the globe



Each design utilizes proven technology to develop a custom module around a customer's requirements.

Absorptive High-Power Integrated Assemblies

- Highly selective filter
- Low noise figures
- Fast recovery time



High-Power Integrated Assemblies

- Fast recovery time
- Low-noise figures
- BITE Circuits



Integrated Front Ends

- Frequency range: 10 kW to 100 kW
- Low noise figure
- High power handling
- Multifunction capability



Applications and platforms:

- **Missile seekers**
- **Airborne radar and EW**
- **Unmanned aerial vehicles (UAV)**
- **Ground-based systems**
- **Naval radar**
- **Air traffic control (ATC radar)**



For more IMA products:
www.cpii.com/bmd



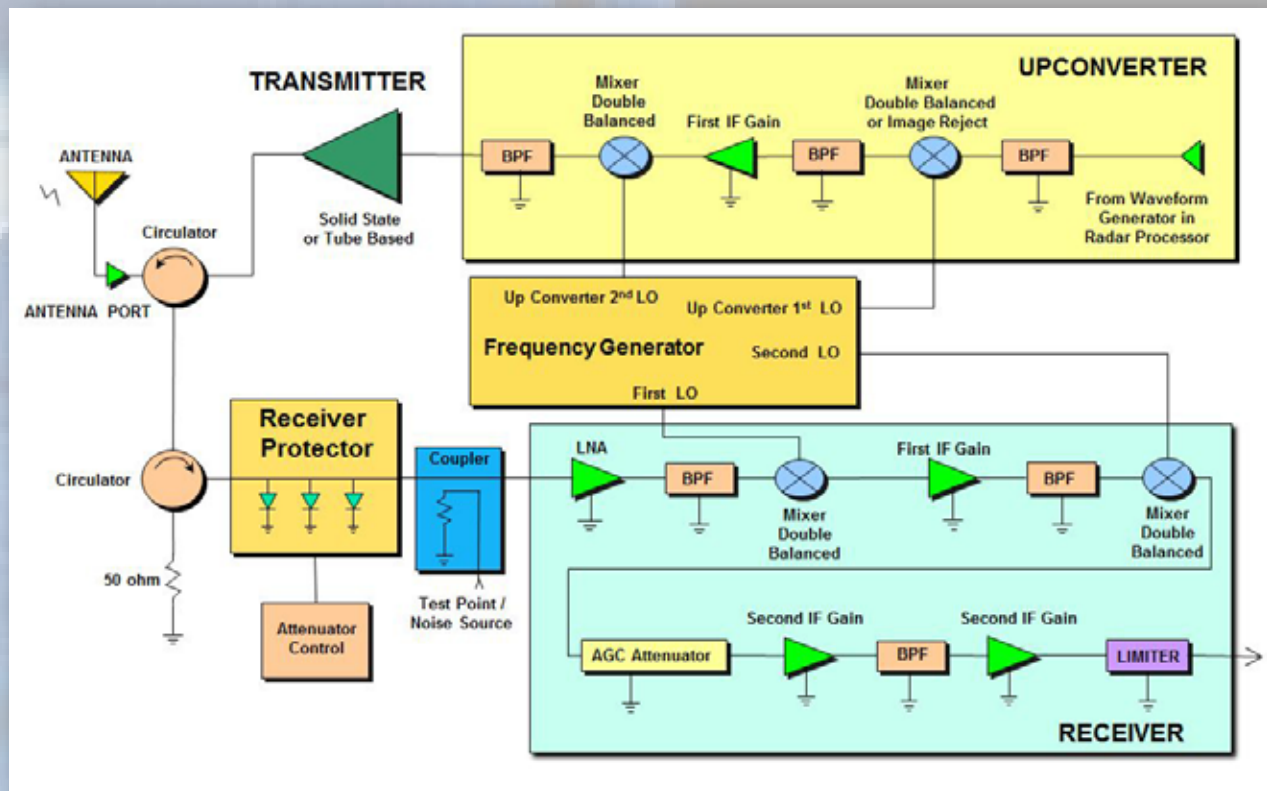
Integrated Microwave Assemblies

Ideal for Radar Systems

Historically, radar system designers selected various components from different suppliers without the ability to accommodate how they interact. CPI has a successful history of providing additional functionality to receiver protectors, by integrating passive and active components into a single, Integrated Microwave Assembly.

CPI produces a compact, more efficient integrated component, by optimizing performance, reducing development costs and ultimately, providing increased functionality to the end product.

This Radar Block Diagram depicts the various building blocks of a typical radar system that CPI can integrate to fit your design needs.



Ask us about integrating your designs today.

Contact us at ElectronDevices@cpii.com or at call us at +1 978-922-6000



cpii.com



Beverly Microwave Division
150 Sohier Road
Beverly, Massachusetts
USA 01915

Microwave Power Products Division
811 Hansen Way
Palo Alto, California
USA 94304

TMD Technologies Division
Swallowfield Way
Hayes, Middlesex
UK UB3 1DQ